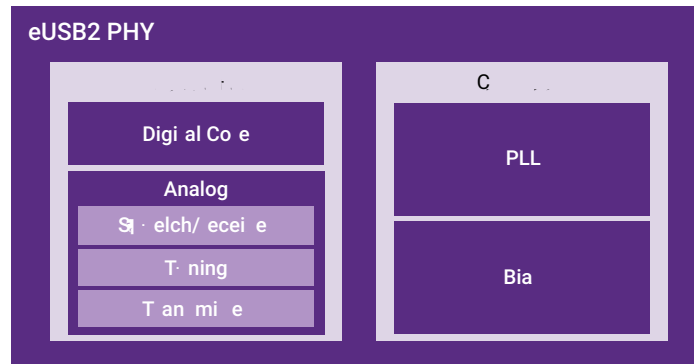


1 eUSB2

		GE4 \$Z'	%24H	' H	%24H
	#++&	GE4 #Z'		VGE4\$	
\$Z'	VGE4\$		GE4	VGE4\$	GE4
	/Ea5fi		GE4 \$Z'	VGE4\$ B: K	
6W6[Y` I	SdWGE4 ;B				GE4

eUSB2 PHY IP

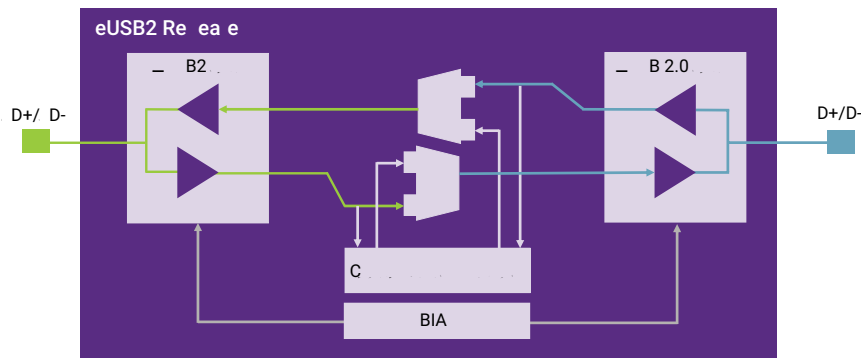
-
-
- GE4 \$Z' &*" ? Tbe # \$? Tbe # Z ? Tbe
- 6W6[Y` I SdWGE4 \$Z' %Z' %Z# %Z\$
- WGE4\$



2 eUSB2PHY

eUSB2 IP

- WGE4\$ GE4 \$Z'
-
- B ? ;5 I [Z8[
- GE4 \$Z' &*" ? Tbe # \$? Tbe # Z ? Tbe
- /4;Effi



3 eUSB2

